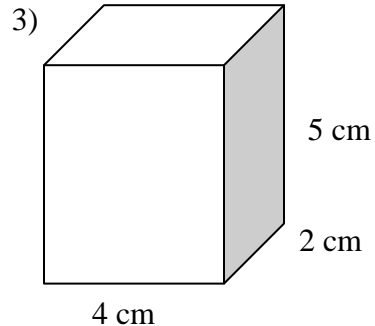
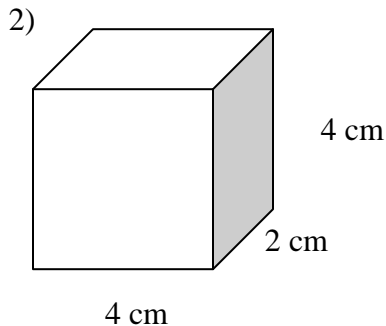
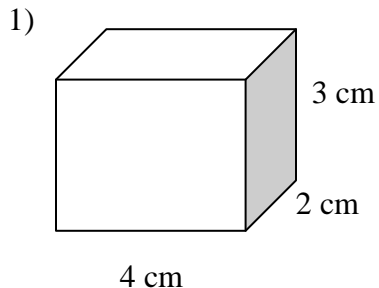


Name \_\_\_\_\_

### VOLUME OF A RECTANGULAR PRISM #1

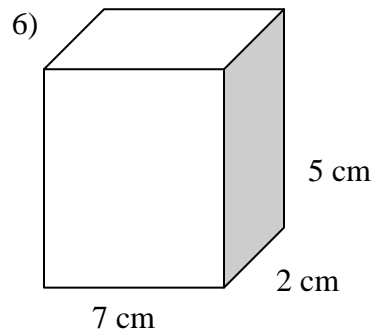
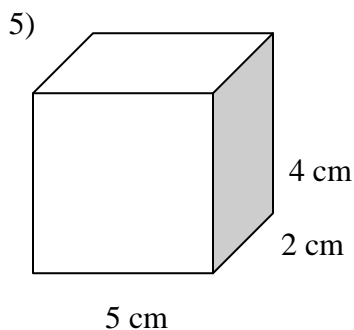
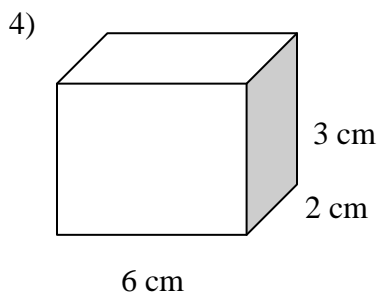
**Directions:** Find the volume of each prism below. The formula to calculate the volume of a rectangular prism is  $volume = length \times width \times height$ . Write your answer in the space provided.



Volume \_\_\_\_\_

Volume \_\_\_\_\_

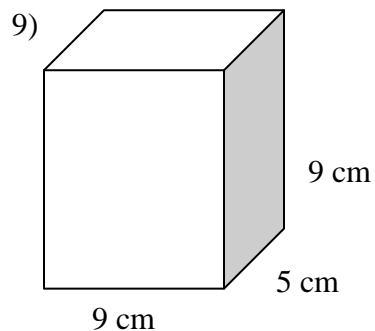
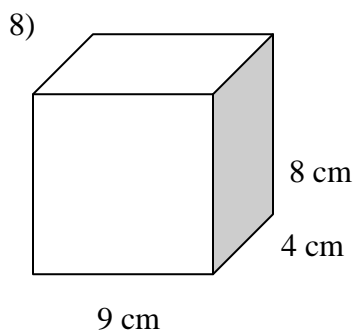
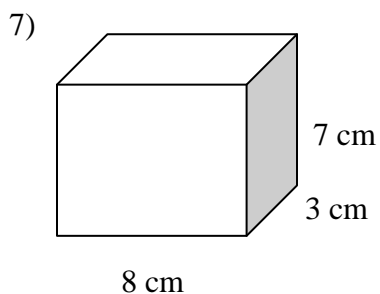
Volume \_\_\_\_\_



Volume \_\_\_\_\_

Volume \_\_\_\_\_

Volume \_\_\_\_\_



Volume \_\_\_\_\_

Volume \_\_\_\_\_

Volume \_\_\_\_\_