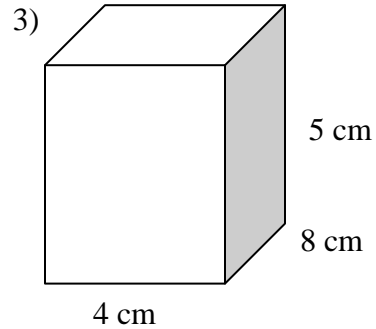
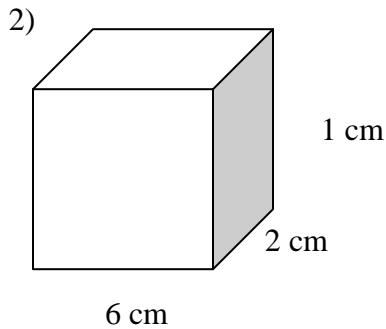
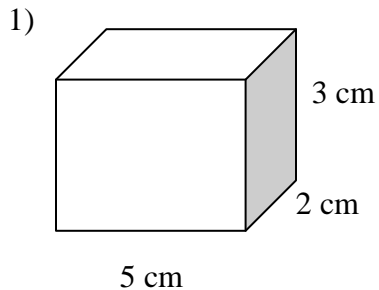


Name \_\_\_\_\_

### VOLUME OF A RECTANGULAR PRISM #2

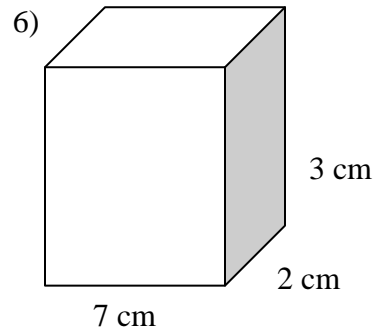
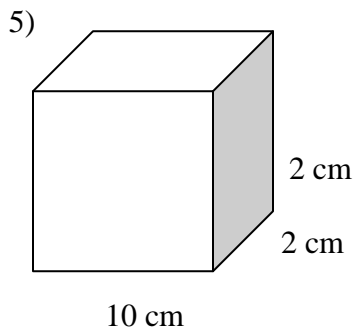
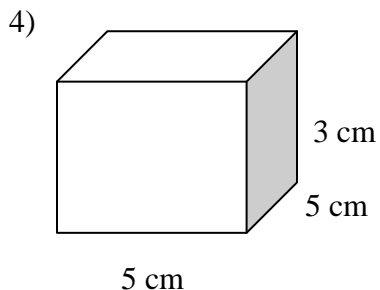
**Directions:** Find the volume of each prism below. The formula to calculate the volume of a rectangular prism is  $\text{volume} = \text{length} \times \text{width} \times \text{height}$ . Write your answer in the space provided.



Volume \_\_\_\_\_

Volume \_\_\_\_\_

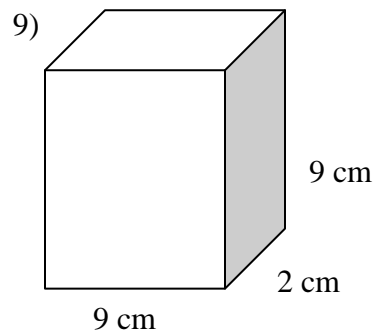
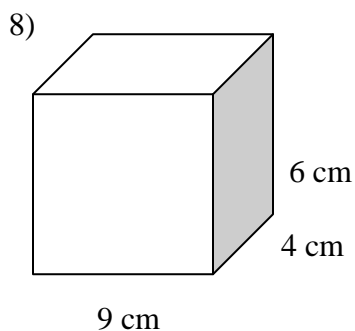
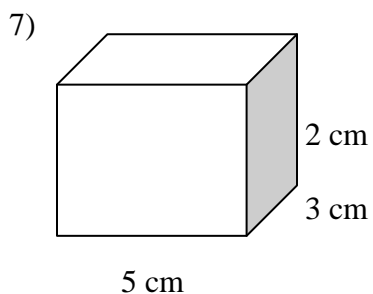
Volume \_\_\_\_\_



Volume \_\_\_\_\_

Volume \_\_\_\_\_

Volume \_\_\_\_\_



Volume \_\_\_\_\_

Volume \_\_\_\_\_

Volume \_\_\_\_\_